



— All Electric

## Be Confident.

The Alpha 4 is a tough and reliable multi-function electric manipulator for harsh environments.

With high accuracy joint positioning (0.1°) and a master/slave topside controller, the Alpha 4 is the most advanced manipulator for the portable ROV community. A must for operators in the new era of close inspection work and complex intervention.



— ROV Proven

## FEATURES

- Fits on very light ROV's
- Quick to integrate
- End-effector interchangeable
- Embedded controllers - no additional POD
- Adjustable grab force - pick up a sea urchin or cut a cable
- Self-protection against collision
- One-click home position
- Corrosion and scratch resistant anodized aluminium
- Highly Modular and Configurable - 3, 4 or 5 function versions available

Master Controller Enabled —

- ◀ **TOUGH**  
300m Depth Rating  
Field Proven
- ◀ **USABLE**  
Intuitive Interface  
Master Arm Controlled
- ◀ **ADVANCED**  
0.1° Joint Accuracy  
Kinematics and Self-Protection



Note: Master Arm not included

## A Revolution for Subsea Inspection & Intervention



Responsive  
Integration Support



Responsive  
Remote Support



12 Month  
Warranty



1000+ Hours  
Logged

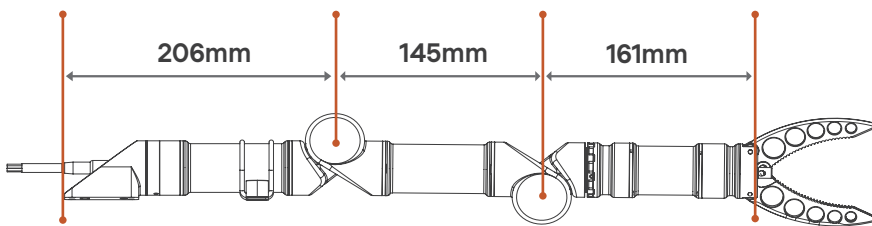
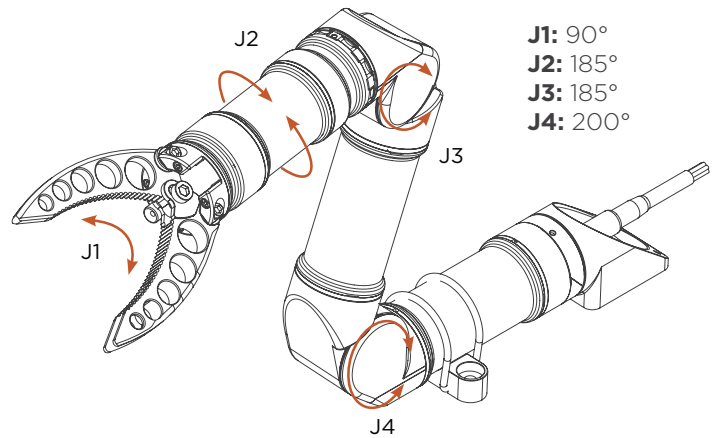


Extended Warranty,  
Spares Packages &  
Service Plans Available

## SPECIFICATIONS

Max Closing Force	600N
Push-rod axial load rating	100kg
Reach	0.4m
Outer Diameter	40mm
Standard Connector	Teledyne 6 Pin IE(W)-55 Impulse Connector (whip included)
Operator Control Options	3D Space Mouse, Gamepad, Software GUI, Master Controller
End-Effector Options	Quad Jaws, Pincer, Parallel Jaws, Rope Cutter

### 4 Degrees of Freedom



### ELECTRICAL

Voltage	18-30V
Wattage	35W Max
COMS	RS232/485

### ENVIRONMENTAL

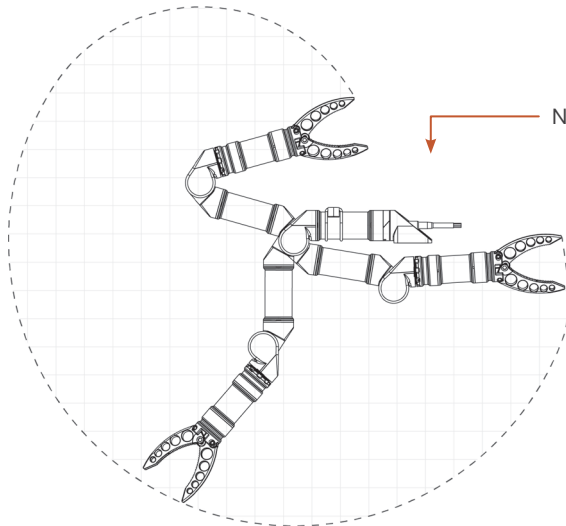
Depth	300MSW
Temp	-35°C to 35°C
Material	AL6061

### MECHANICAL

Lift Capacity	2kg (Full Reach)
Weight (Air)	1360g
Weight (Water)	900g

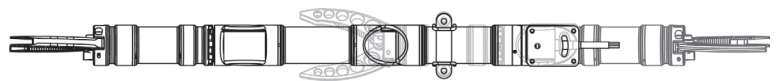
### High Mobility & Compact

SIDE VIEW



Note: Configuration can also be inverted

TOP VIEW



## Mission Specific End-Effectors | *Interchange With Ease*

Parallel Jaws

Quad Jaws

Rope Cutter

Standard Jaws

