

ACCESSORY PORT CONNECTOR

An auxiliary port to attach external instruments to Reach Bravo manipulators

Expand the capability of your Reach Bravo Manipulator



Integrate sensors and tools with ease

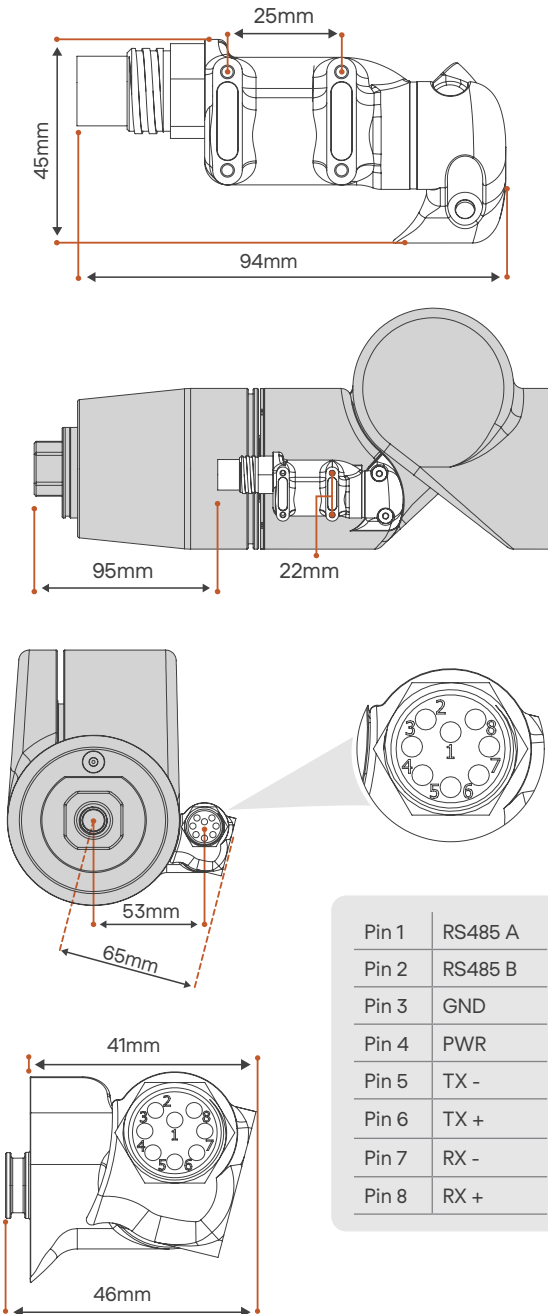
The Accessory Port Connector allows integration of 3rd party instruments - such as probes and cameras - onto the Reach Bravo class of manipulators. Undertake missions of greater complexity with more freedom and control using this compact and effective tool. Expand the capability and versatility of the Bravos' multi-use manipulator technology in harsh subsea environments.

ELECTRICAL

Max Current	1A
Communications	Ethernet 100mbps/RS485
Connector	MCBH8F - 8 pin female
Programmable	12-24VDC
Voltage Range	

ENVIRONMENTAL

Depth	300MSW
Temp	-10°C to 35°C
Material	Hard Anodized 6061-T6
Weight	95g



A Revolution for Subsea Inspection & Intervention



Responsive
Integration Support



Responsive
Remote Support



12 Month
Warranty



Extended Warranty, Spares
Packages & Service Plans
Available



1000+ Hours
Logged