

BRAVO ROTATING GRABBER

A Tough, 2-Function Manipulator for Inspection Class Vehicles



All Electric ———→

Be Confident.

The Bravo Rotating Grabber is a 2-Function manipulator that opens up new compact inspection and intervention opportunities for service providers, researchers, and other operators.

The Rotating Grabber blends two state-of-the-art actuators to give a precise, high strength grip. With the combination of a powerful linear and continuous rotatory actuator, it extends the capability of small unmanned vehicles to manipulate and recover objects in complex environments.

Take Hold.

FEATURES

- Ready-built and designed for industry leading inspection-class vehicles
- All-Electric, Zero Oil
- Rapid change End-Effectors - swap in minutes for efficient, on-site tooling requirements
- Advanced software interface with 3D visualisation
- Adjustable grab force - pick up a sea urchin or cut a cable
- Quick to integrate
- Corrosion and scratch resistant (AL6061)
- Quick-release mounting kit available

◀ MODULAR

2-Function
Highly Configurable

◀ RUGGED

300m Depth Rating
200kg Axial Load

◀ SMART

In-Built Kinematics
Master Arm Controlled

Note: Mounting Kit not included



Mission Specific End-Effectors | *Interchange With Ease*

Parallel Jaws



Wide Quad Jaws



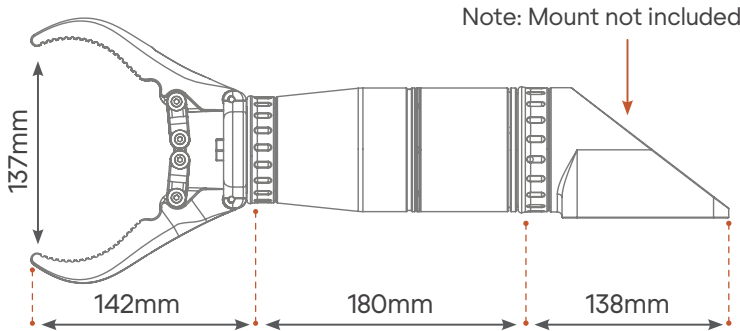
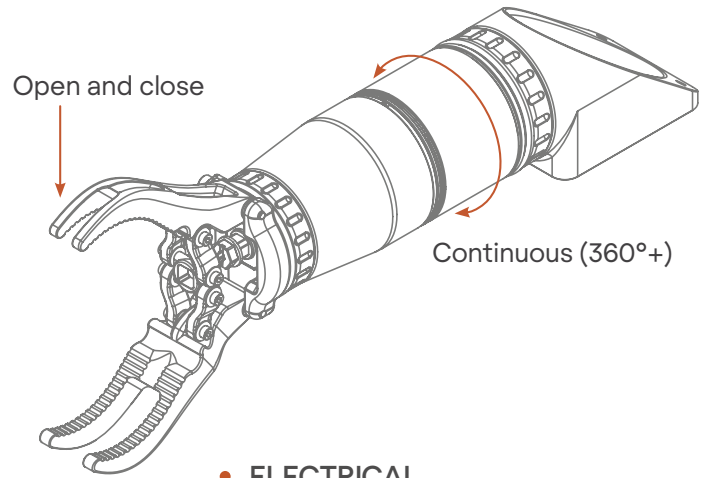
Interlocking Quad Jaws



SPECIFICATIONS

Wrist Torque	20Nm
Axial Load Rating	200kg
Rotate Speed	45°/s nominal
Rotate Accuracy	0.1°
Linear Grab Force	1000N
Outer Diameter	84mm
Connector cable	13 Pin Ethernet Subcon (DBH13M)
Control Options	Space Mouse, Software GUI, Topside Master Arm
Control Modes	Position, Velocity

High Mobility & Compact



ELECTRICAL

Voltage	24-48V
Wattage	60W
COMS	RS232

ENVIRONMENTAL

Depth	300M
Temp	-10°C to 35°C
Material	AL6061

MECHANICAL

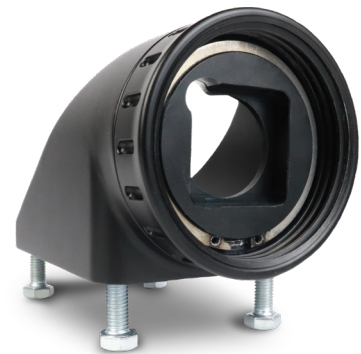
Weight (Air)	2.8Kg
Weight (Water)	1.6kg

Integration Made Easy

Integrate Reach Bravo manipulators with our mounting unit, designed for simple installation on industry leading vehicles. A screw collar system lets you mount and unmount in seconds.



Designed for Leading ROVs



A Revolution for Subsea Inspection & Intervention



Responsive
Integration Support



Responsive
Remote Support



12 Month
Warranty



1000+ Hours
Logged



Extended Warranty,
Spares Packages &
Service Plans Available