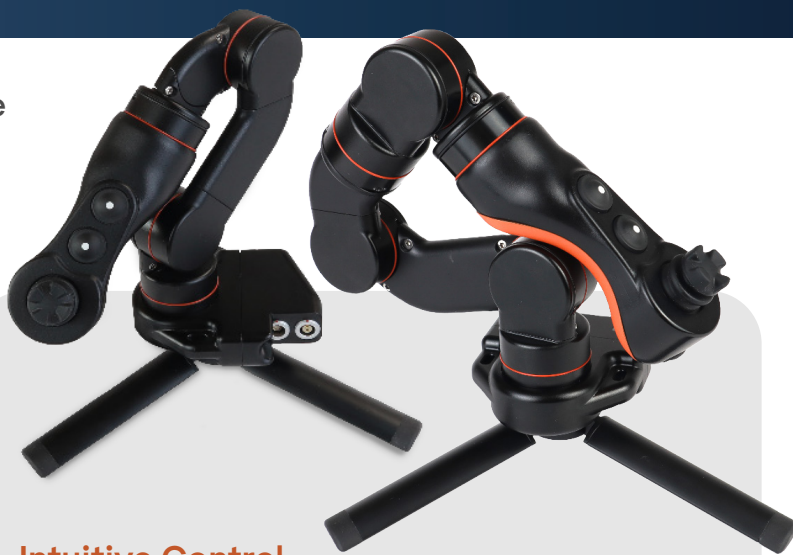
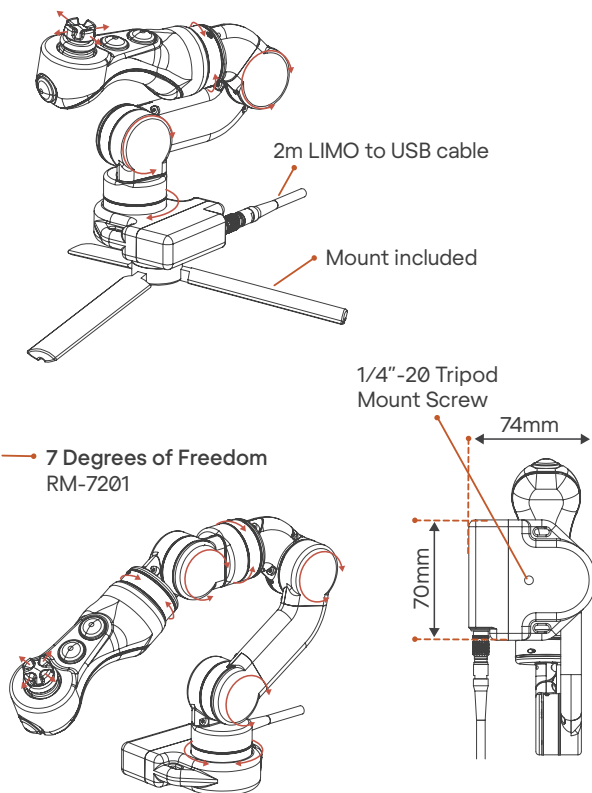
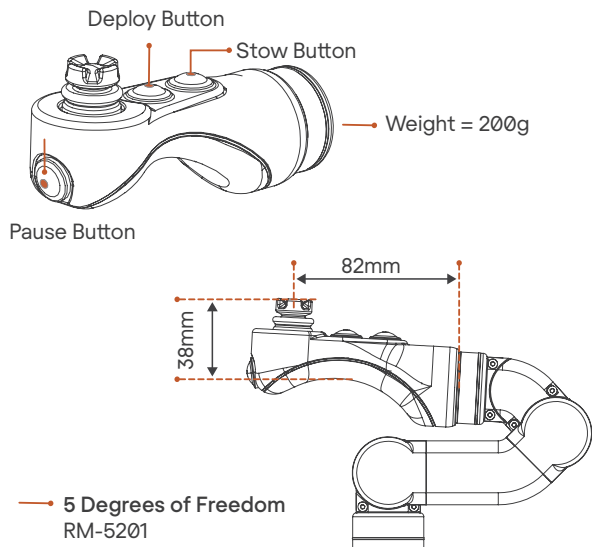


MASTER ARM

Intuitive plug-&-play controllers for Reach System manipulators

Approach Complex Tasks with Confidence



Intuitive Control

Available in 5 and 7-Function models to suit your manipulator, Master Arm controllers increase accuracy and precision when completing complex underwater tasks. This plug-and-play upgrade features one-to-one joint matching and comfortable design, reducing ROV training time and enabling dexterous tasks not possible with traditional control methods.

FEATURES

- Precise placement of probes for crack and corrosion monitoring.
- Place and recover objects with unmatched dexterity and minimised workload.
- Attach hooks and shackles consistently.
- Reach confined surfaces and complex areas unreachable with lower degree-of-freedom manipulators and traditional control methods.

SPECIFICATIONS

- Device Type Serial, HID
- Weight 5Dof = 500g
 7DoF = 670g

A Revolution for Subsea Inspection & Intervention



Responsive
Integration Support



Responsive
Remote Support



12 Month
Warranty



Extended Warranty, Spares
Packages & Service Plans
Available



1000+ Hours
Logged