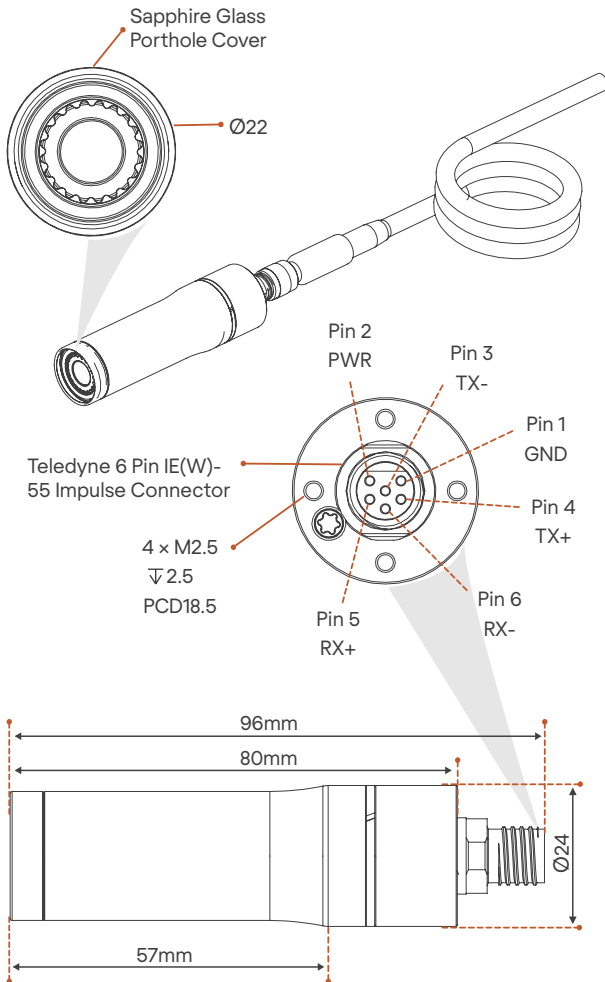


MICRO IP CAMERA

The world's smallest camera for underwater inspection

Clear vision where it's most needed



Your eyes, underwater.

The Micro IP Camera allows clear, uninhibited vision in subsea environments. Featuring simple integration via an impulse connector, the Micro IP Camera is compatible with Reach Alpha manipulators, subsea vehicles and other devices. Improve your situational awareness, task accuracy and efficiency with the addition of the Micro IP Camera today.

• ELECTRICAL

COMS	Ethernet
Voltage	12V

• ENVIRONMENTAL

Depth	300MSW
Temp	-10°C to 35°C
Material	AL6061

• FEATURES

- 1080p Resolution
- 2MP IP Camera
- High performance in low light conditions
- 2.8mm Standard Focal Length
- 130° FOV
- Minimum Illumination (LUX): 0.01
- Latency: <200ms



Simple integration for easy installation on a variety of subsea ROV's and devices.

A Revolution for Subsea Inspection & Intervention



Responsive
Integration Support



Responsive
Remote Support



12 Month
Warranty



Extended Warranty, Spares
Packages & Service Plans
Available



1000+ Hours
Logged