



— All Electric

### Be Confident.

The Alpha 3 is a tough and reliable multi-function electric manipulator for harsh environments.

With high accuracy joint positioning (0.1°) and a master/slave topside controller, the Alpha 3 is the most advanced manipulator for the portable ROV community. A must for operators in the new era of close inspection work and complex intervention.



— ROV Proven

### FEATURES

- Fits on very light ROV's
- Quick to integrate
- End-effector interchangeable
- Embedded controllers - no additional POD
- Adjustable grab force - pick up a sea urchin or cut a cable
- Self-protection against collision
- One-click home position
- Corrosion and scratch resistant anodized aluminium
- Highly Modular and Configurable - 3, 4 or 5 function versions available

### Master Controller Enabled

- ◀ **TOUGH**  
300m Depth Rating  
Field Proven
- ◀ **USABLE**  
Intuitive Interface  
Master Arm Controlled
- ◀ **ADVANCED**  
0.1° Joint Accuracy  
Kinematics and Self-Protection



Note: Master Arm not included

## A Revolution for Subsea Inspection & Intervention



Responsive  
Integration Support



Responsive  
Remote Support



12 Month  
Warranty



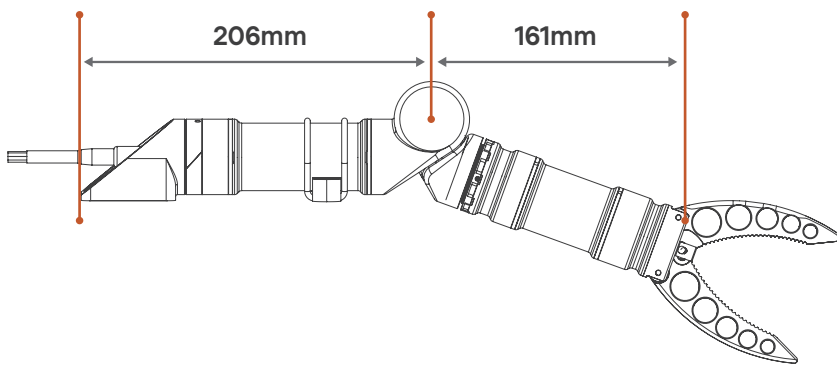
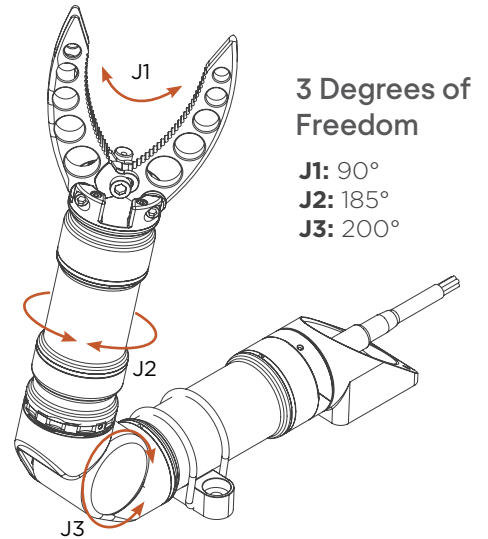
1000+ Hours  
Logged



Extended Warranty,  
Spares Packages &  
Service Plans Available

## SPECIFICATIONS

|                            |   |
|----------------------------|---|
| Max Closing Force          | 600N  |
| Push-rod axial load rating | 100kg   |
| Reach                      | 0.4m  |
| Outer Diameter             | 40mm  |
| Standard Connector         | Teledyne 6 Pin IE(W)-55 Impulse Connector (whip included) |
| Operator Control Options   | 3D Space Mouse, Gamepad, Software GUI, Master Controller  |
| End-Effector Options       | Quad Jaws, Pincer, Parallel Jaws, Rope Cutter             |



High Mobility & Compact

### ELECTRICAL

|         |           |
|---------|-----------|
| Voltage | 18-30V    |
| Wattage | 35W Max   |
| COMS    | RS232/485 |

### ENVIRONMENTAL

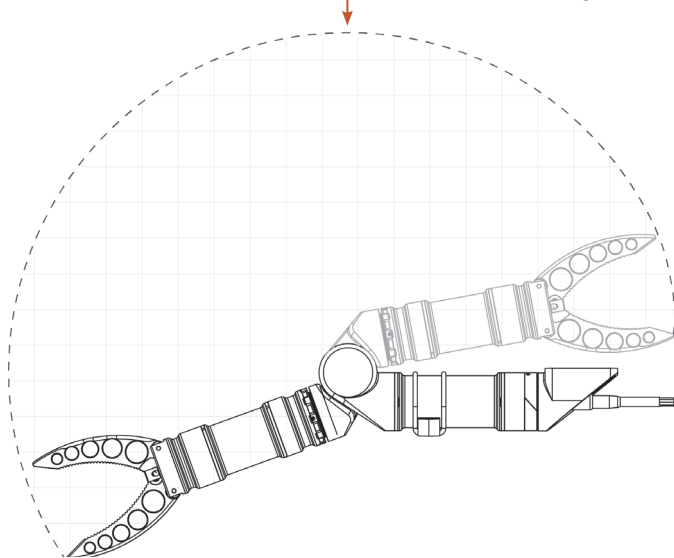
|          |               |
|----------|---------------|
| Depth    | 300MSW        |
| Temp     | -35°C to 35°C |
| Material | AL6061        |

### MECHANICAL

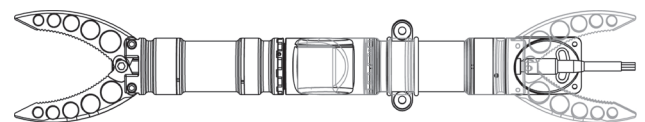
|                |                  |
|----------------|------------------|
| Lift Capacity  | 2kg (Full Reach) |
| Weight (Air)   | 1360g            |
| Weight (Water) | 900g             |

SIDE VIEW

Note: Configuration can also be inverted



TOP VIEW



## Mission Specific End-Effectors | *Interchange With Ease*

Parallel Jaws

Quad Jaws

Rope Cutter

Standard Jaws

