

# ALPHA 5 INSPECTOR

A remote multi-sensor measurement tool



— All Electric

## Inspect With Ease

The Alpha 5 Inspector is a tough, reliable, intuitive to control manipulator for conducting remote visual and non-destructive inspections.

With high accuracy joint positioning ( $0.1^\circ$ ) and a master/slave topside controller, the Alpha 5 Inspector is designed to manipulate UT, CP, or other visual/NDT probe heads into position for accurate measurements.

(Blue Probe not included)

## FEATURES

- Fits on very small ROVs and Crawlers
- Quick to integrate
- Probe Holder Available for your Probe Integration, or
- Build-your-own Probe Holder
- Embedded controllers - no additional POD
- Self-protection against collision
- One-click stow/deploy position
- Corrosion and scratch resistant anodized aluminium
- Advanced monitor software interface
- Datalogging for probe location



— ROV and Crawler Proven

## Master Controller Enabled

- ◀ **TOUGH**  
300m Depth Rating  
Field Proven
- ◀ **USABLE**  
Intuitive Interface  
Master Arm Controlled
- ◀ **ADVANCED**  
 $0.1^\circ$  Joint Accuracy  
Kinematics and Self-Protection



Note: Master Arm not included

## A Revolution for Subsea Inspection & Intervention



Responsive  
Integration Support



Responsive  
Remote Support



12 Month  
Warranty



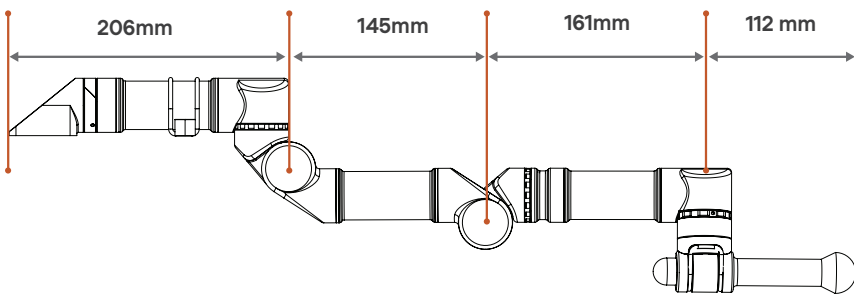
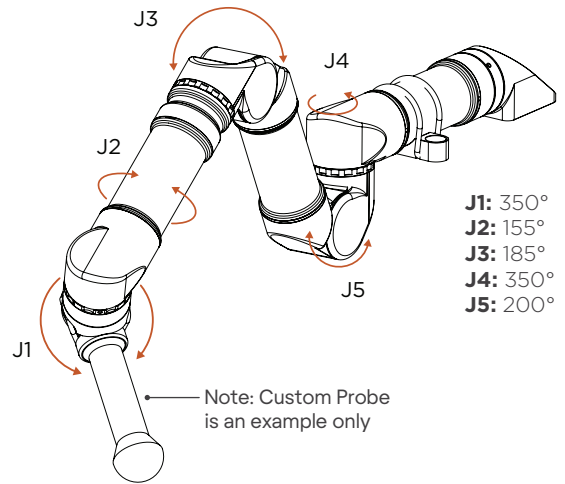
1000+ Hours  
Logged



Extended Warranty,  
Spares Packages &  
Service Plans Available

## SPECIFICATIONS

Reach	0.4m & up depending on probe length
Outer Diameter	40mm
Standard Connector	Teledyne 6 Pin IE(W)-55 Impulse Connector (whip included)
End-effector Accuracy	<1cm
Operator Control Options	3D Space Mouse, Gamepad, Software GUI, Master Controller



High Mobility & Compact

### ELECTRICAL

Voltage	18-30V
Wattage	35W Max
COMS	RS232/485

### ENVIRONMENTAL

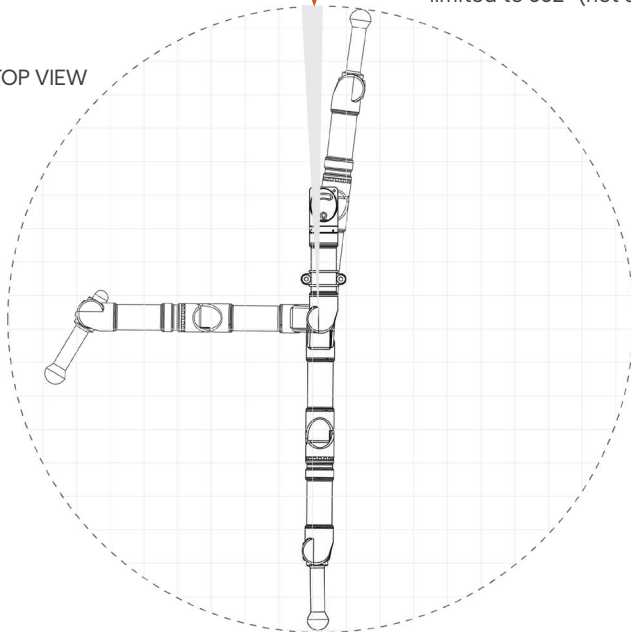
Depth	300MSW
Temp	-35°C to 35°C
Material	AL6061

### MECHANICAL

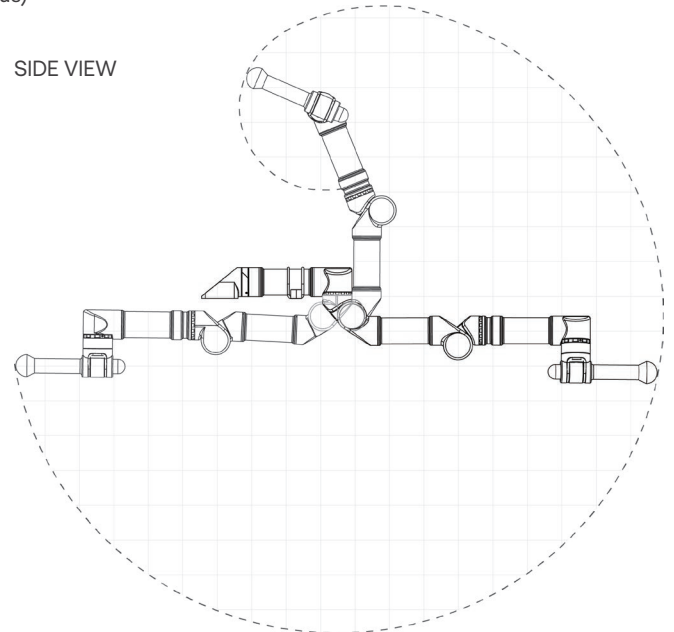
Payload Capacity	2kg
Weight (Air)	1360g
Weight (Water)	900g

Note: base joint is software limited to 352° (not continuous)

TOP VIEW



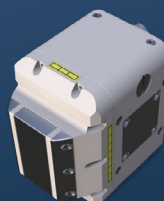
SIDE VIEW



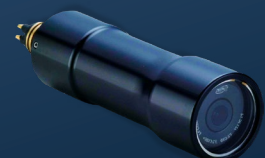
Interface with a variety of industry standard payloads



UT + CP Probe



ACFM



Miniature Camera