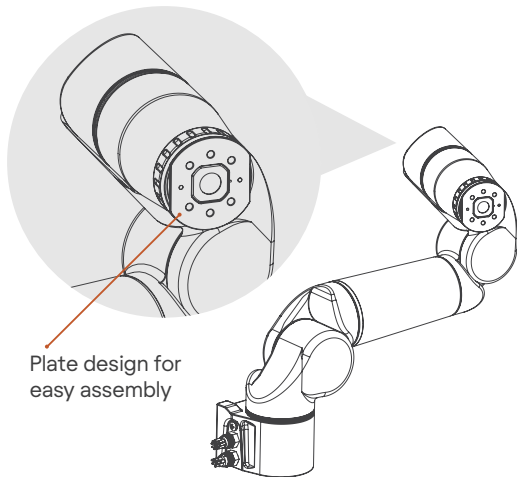
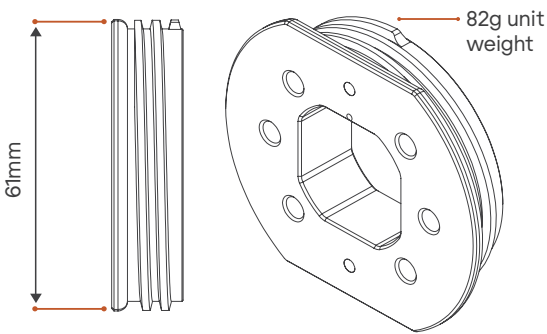
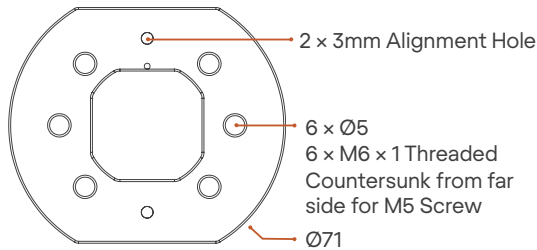


PAYLOAD INTERFACE

A versatile interface to attach custom parts to Bravo manipulators

Securely attach your sonar, probe, or other sensor to your Bravo manipulator.



Interfacing made easy.

The Payload Interface add-on allows attachment of external sensors and tools to Reach Bravo manipulators. Replacing the jaws at the end-effector, the plate design makes it easy for developers to securely integrate their own payloads to the manipulator system.

FEATURES

2 x 3mm Dowel Pin Holes for accurate alignment
 Connection options for a variety of mounting requirements:

- 6 x M6 fasteners threaded into the plate
- 6 x M5 / #10 Countersunk bolts from far side

A Revolution for Subsea Inspection & Intervention



Responsive
Integration Support



Responsive
Remote Support



12 Month
Warranty



Extended Warranty, Spares
Packages & Service Plans
Available



1000+ Hours
Logged