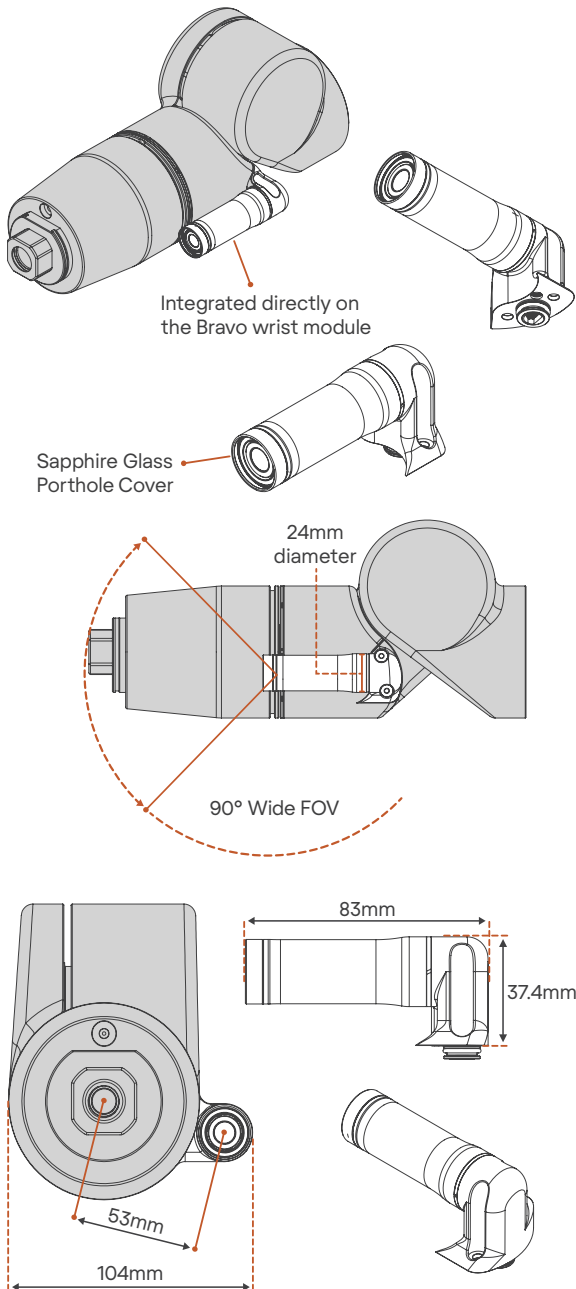


# WRIST CAMERA

A wrist camera for Reach Bravo manipulators

Clear vision where it's most needed



## Your eyes, underwater.

The Reach Bravo Wrist Camera gives operators clear vision at the end-effector of their manipulator. Situated just before the wrist rotate stage, this module is a must for complex intervention and inspection, augmenting the vision provided by the vehicle camera. Improve operator situational awareness and improve task accuracy and efficiency.

### • ELECTRICAL

COMS	Ethernet
Voltage	12V

### • ENVIRONMENTAL

Depth	300MSW
Temp	-10°C to 35°C
Material	AL6061

### • FEATURES

- 1080p Resolution
- 2MP IP Camera
- High performance in low light conditions
- 2.8mm Standard Focal Length
- 130° FOV
- Minimum Illumination (LUX): 0.01
- Latency: <200ms

## A Revolution for Subsea Inspection & Intervention



Responsive  
Integration Support



Responsive  
Remote Support



12 Month  
Warranty



Extended Warranty, Spares  
Packages & Service Plans  
Available



1000+ Hours  
Logged