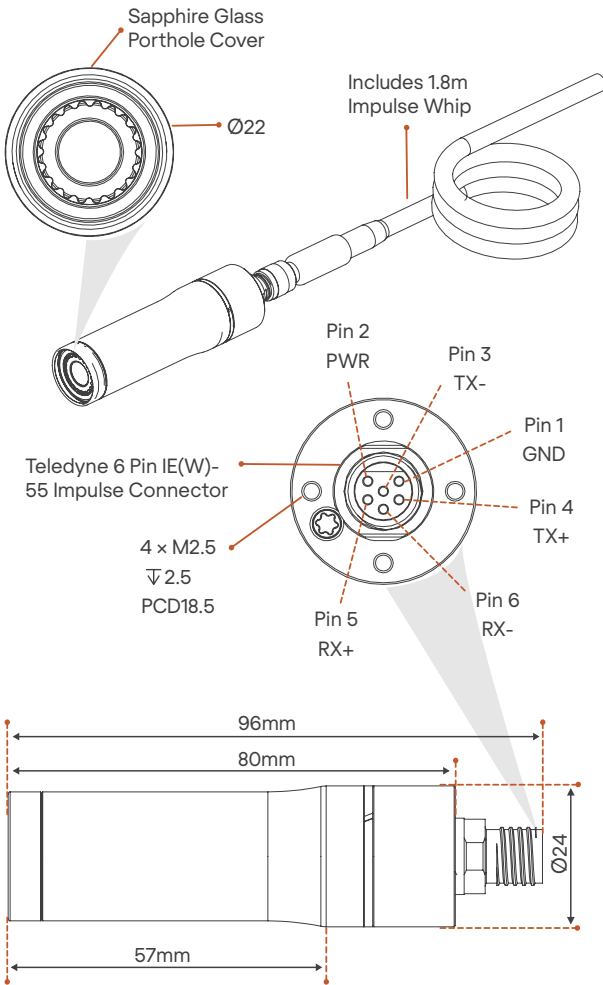


MICRO IP CAMERA

Smallest 300m IP camera for underwater inspection

Clear vision where it's most needed



Mounting Attachment for easy setup on Reach Alpha manipulators



Simple integration for easy installation on a variety of subsea ROV's and devices.



Your eyes, underwater.

The Micro IP Camera allows clear, uninhibited vision in subsea environments. Featuring simple integration via an impulse connector, the Micro IP Camera is compatible with Reach Alpha manipulators, subsea vehicles and other devices. Improve your situational awareness, task accuracy and efficiency with the addition of the Micro IP Camera today.

ELECTRICAL

COMS	Ethernet
Voltage	12-48V

ENVIRONMENTAL

Depth	300MSW
Temp	-10°C to 35°C
Material	AL6061

FEATURES

- 1080p Resolution
- 2MP IP Camera
- High performance in low light conditions
- 2.8mm Standard Focal Length
- 130° FOV
- Minimum Illumination (LUX): 0.01
- Latency: <200ms

A Revolution for Subsea Inspection & Intervention



Responsive Integration Support



Responsive Remote Support



12 Month Warranty



Extended Warranty, Spares Packages & Service Plans Available



1000+ Hours Logged