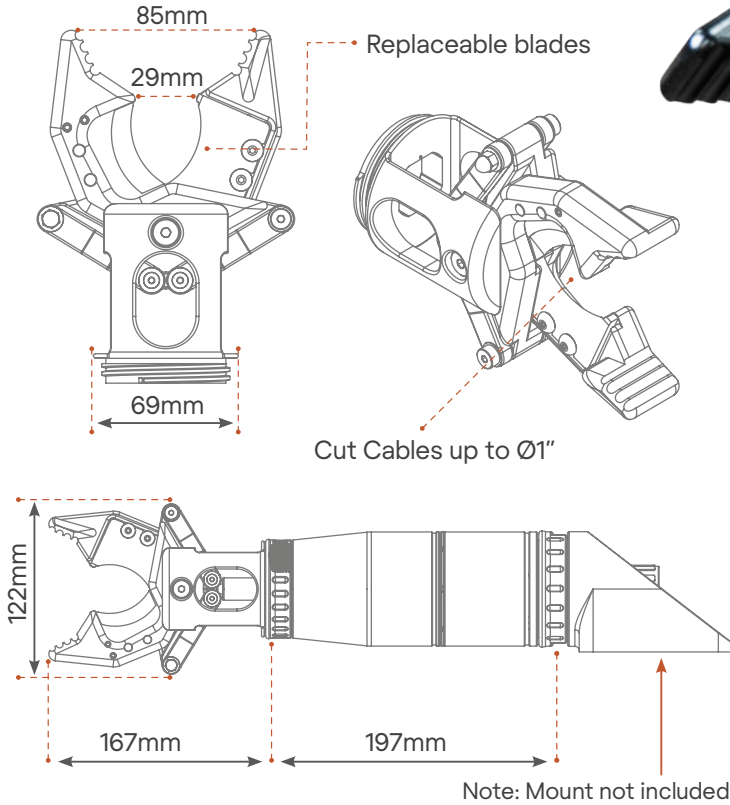


# ROTATING CUTTER

A High-Force Linear Cutter for Inspection Class Vehicles

A new cutting capability for smaller ROVs



## Compact and Powerful

The Bravo Rotating Cutter is a high-force system that blends two state-of-the-art actuators to give a precise, high force cutting and grabbing action. The Rotating Cutter can sever soft-line rope and conduit cable up to 1" diameter, perfect for cutting tangled net or wire in recovery operations. Experience unparalleled force in a unit of this size and extend the capability of small unmanned vehicles during complex operations.

### SPECIFICATIONS

|                   |   |
|-------------------|---|
| Wrist Torque      | 20Nm  |
| Axial Load Rating | 200Kg   |
| Velocity          | 5.3 mm/s                                      |
| Rotate Speed      | 45°/s   |
| Rotate Accuracy   | 0.1°  |
| Grab Force        | 1 Ton   |
| Outer Diameter    | 84mm  |
| Connector cable   | 13 Pin Ethernet Subcon (DBH13M)               |
| Control Options   | Space Mouse, Software GUI, Topside Master Arm |
| Control Modes     | Position, Velocity                            |

#### ELECTRICAL

Voltage 24-48V  
Wattage 60W  
COMS RS232

#### ENVIRONMENTAL

Depth 300M  
Temp -10°C to 35°C  
Material AL6061

#### MECHANICAL

Weight (Air) 2.6Kg  
Weight (Water) 1.45Kg



## A Revolution for Subsea Inspection & Intervention



Responsive  
Integration Support



Responsive  
Remote Support



12 Month  
Warranty



Extended Warranty, Spares  
Packages & Service Plans  
Available



1000+ Hours  
Logged