



All Electric →

Be Confident.

The Bravo 2 is a 2-Function manipulator that opens up new compact inspection and intervention opportunities for service providers, researchers, and other operators.

The Bravo 2 blends two state-of-the-art actuators to give a precise, high strength grip.

With the combination of a powerful linear and continuous rotatory actuator, the Bravo 2 extends the capability of small unmanned vehicles to manipulate and recover objects in complex environments.

Take Hold.

FEATURES

- Ready-built and designed for industry leading inspection-class vehicles
- Master Arm Controlled
- All-Electric, Zero Oil
- End effectors: grabbers, probe handlers, cutters (or BYO)
- Advanced software interface with 3D visualisation
- Adjustable grab force - pick up a sea urchin or cut a cable
- One-click deploy/stow position
- Quick to integrate
- Corrosion and scratch resistant (AL6061)

Master Controller Enabled →

- ◀ **MODULAR**
2-Function (or custom fit)
Highly Configurable
- ◀ **RUGGED**
300m Depth Rating
20kg Full Reach Lift
- ◀ **SMART**
In-Built Kinematics
Master Arm Controlled



Note: Master Arm not included



Mission Specific End-Effectors | *Interchange With Ease*

Parallel Jaws



Quad Jaws



Interlocking Quad Jaws



SPECIFICATIONS

| | |
|---------------------------|---|
| Torque | 20Nm |
| Max Lift Capacity | 20kg |
| Joint Speed | 45°/s nominal |
| Joint Accuracy | 0.1° |
| Push Rod Linear Force | 1000N |
| Outer Diameter | 84mm |
| Connector cable | 13 Pin Ethernet Subcon (DBH13M) |
| Control Unit | Space Mouse, Software GUI, Topside Master Arm |
| Optional Sensor Interface | PWR + 232 + 485 + Ethernet |
| Control Modes | Position, Velocity |

Power Interface

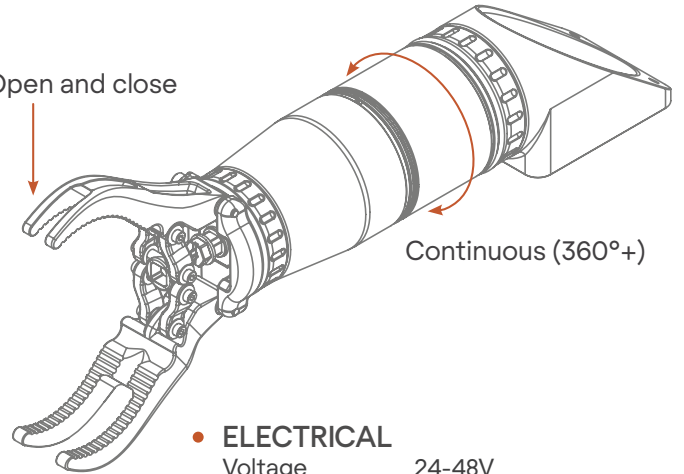
| | |
|----------|----------------------------------|
| Bulkhead | DBH4M - 4D Male |
| Pigtail | DIL4F - Inline, 4D Female, 100cm |

Comms Interface

| | |
|----------|------------------------------------|
| Bulkhead | DBH12M - Ethernet, 12D Male |
| Pigtail | Ethernet Inline, 12D Female, 100cm |

High Mobility & Compact

Open and close



Continuous (360°+)

ELECTRICAL

| | |
|---------|----------------|
| Voltage | 24-48V |
| Wattage | 60W |
| COMS | RS485/Ethernet |

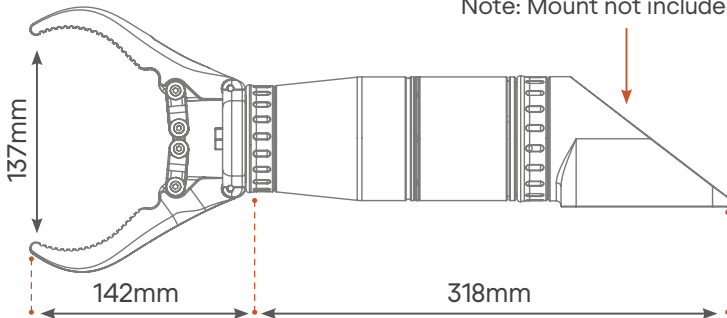
ENVIRONMENTAL

| | |
|----------|---------------|
| Depth | 300M |
| Temp | -10°C to 35°C |
| Material | AL6061 |

MECHANICAL

| | |
|----------------|-------------------|
| Lift Capacity | 20kg (full reach) |
| Weight (Air) | 2.8Kg |
| Weight (Water) | 1.6kg |

Note: Mount not included



Integration Made Easy

Integrate Reach Bravo manipulators with our mounting unit, designed for simple installation on industry leading vehicles.



Designed for Leading ROV's

A Revolution for Subsea Inspection & Intervention



Responsive
Integration Support



Responsive
Remote Support



12 Month
Warranty



1000+ Hours
Logged



Extended Warranty,
Spares Packages &
Service Plans Available