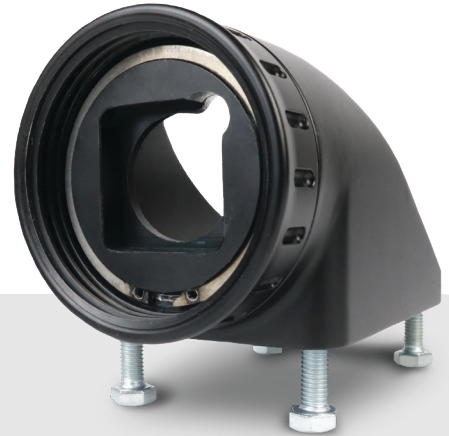


# BRAVO MOUNTING KIT



Integration Made Easy  
Simple ROV integration for Bravo 2  
and Bravo 3 manipulators

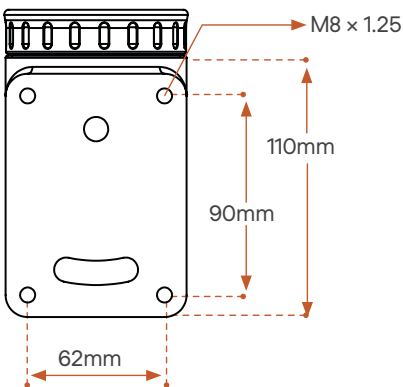
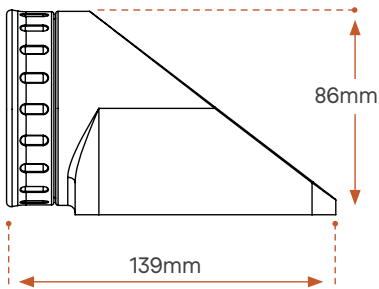
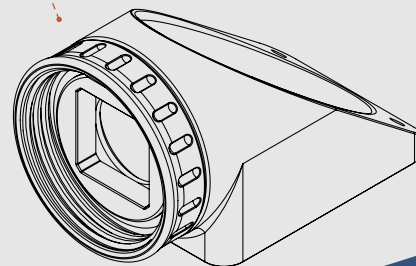


## Trust your integration.

Be confident in the attachment of your Bravo Products with the Bravo Mounting Kit. Specially designed to combine interchangeability and strength, the Bravo Mounting Kit paves a new path for vehicle-arm integration you can count on.

Be adventurous, knowing the intelligent design is made to absorb large stresses and protect your product from external impacts.

Screw Collar for easy deployment and storage of our underwater robotic grabbers.



## A Revolution for Subsea Inspection & Intervention



Responsive  
Integration Support



Responsive  
Remote Support



12 Month  
Warranty



1000+ Hours  
Logged



Extended Warranty,  
Spares Packages &  
Service Plans Available