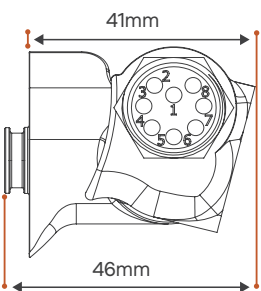
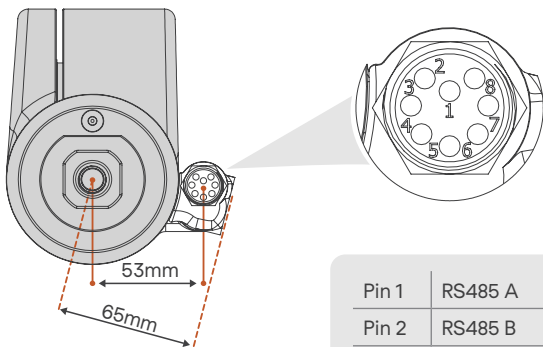
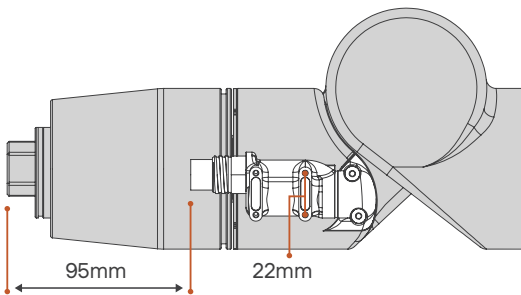
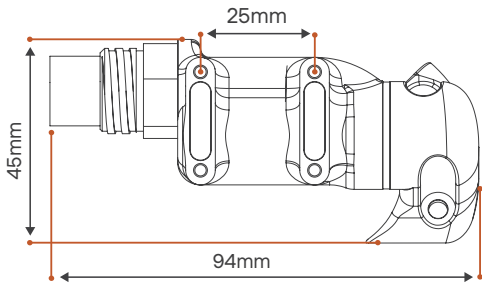


ACCESSORY PORT CONNECTOR

An auxiliary port to attach external instruments to Reach Bravo manipulators

Expand the capability of your Reach Bravo Manipulator



Pin 1	RS485 A
Pin 2	RS485 B
Pin 3	GND
Pin 4	PWR
Pin 5	TX -
Pin 6	TX +
Pin 7	RX -
Pin 8	RX +



Integrate sensors and tools with ease

The Accessory Port Connector allows integration of 3rd party instruments - such as probes and cameras - onto the Reach Bravo class of manipulators. Undertake missions of greater complexity with more freedom and control using this compact and effective tool. Expand the capability and versatility of the Bravos' multi-use manipulator technology in harsh subsea environments.

ELECTRICAL

Max Current	2A
Communications	Ethernet 100mbps/RS485
Connector	MCBH8F - 8 pin female
Programmable	12-24VDC
Voltage Range	

ENVIRONMENTAL

Depth	300MSW
Temp	-10°C to 35°C
Material	Hard Anodized 6061-T6
Weight	95g

A Revolution for Subsea Inspection & Intervention



Responsive Integration Support



Responsive Remote Support



12 Month Warranty



Extended Warranty, Spares Packages & Service Plans Available



1000+ Hours Logged