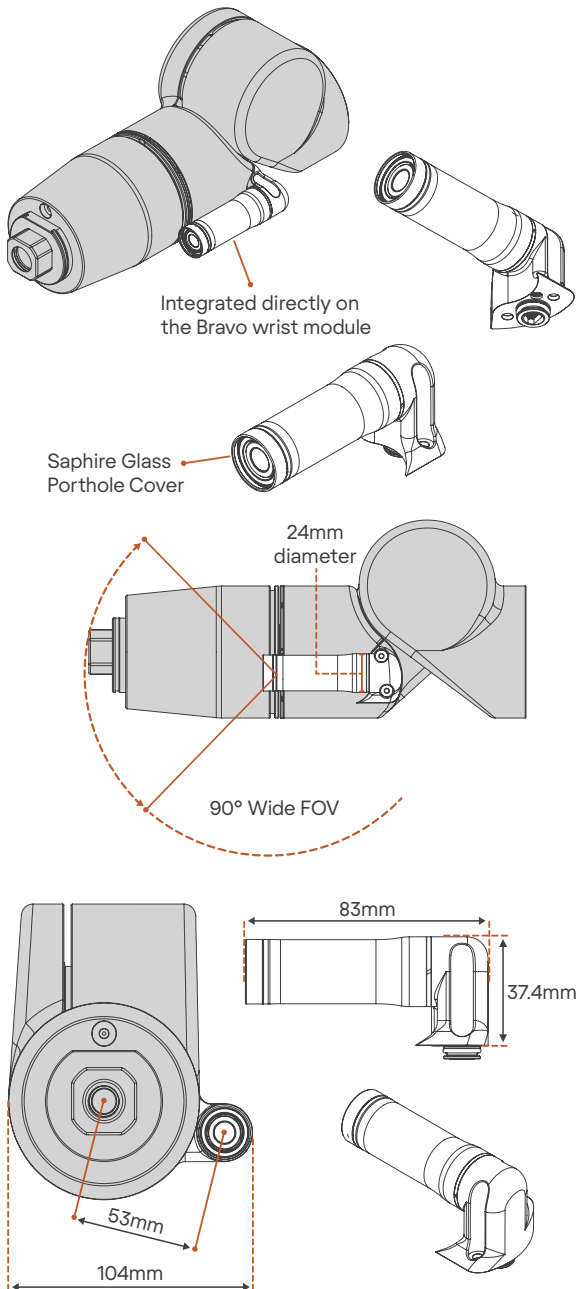


WRIST CAMERA

A wrist camera for Reach Bravo manipulators

Clear vision where it's most needed



Your eyes, underwater.

The Reach Bravo Wrist Camera gives operators clear vision at the end-effector of their manipulator. Situated just before the wrist rotate stage, this module is a must for complex intervention and inspection, augmenting the vision provided by the vehicle camera. Improve operator situational awareness and improve task accuracy and efficiency.

- **ELECTRICAL**

COMS	Ethernet
Voltage	12V

- **ENVIRONMENTAL**

Depth	300MSW
Temp	-10°C to 35°C
Material	AL6061

- **FEATURES**

- 1080p Resolution
- 2MP IP Camera
- High performance in low light conditions
- 2.8mm Standard Focal Length

A Revolution for Subsea Inspection & Intervention



Responsive
Integration Support



Responsive
Remote Support



12 Month
Warranty



Extended Warranty, Spares
Packages & Service Plans
Available



1000+ Hours
Logged